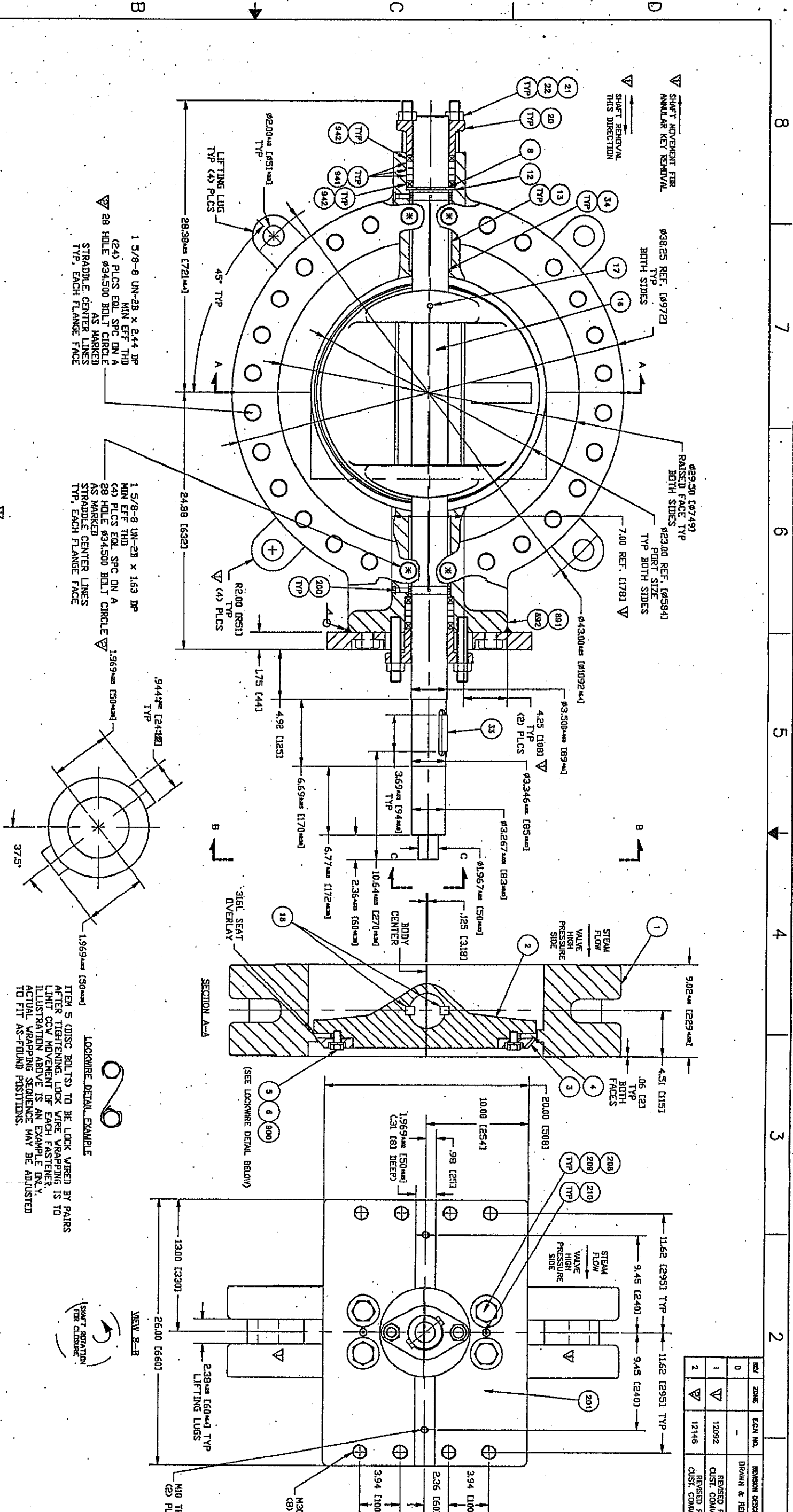


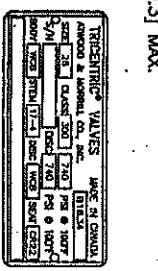
REV	ZONE	ECN NO.	REVISION DESG
0			DRAWN & REI
1	V	12092	REVISED F CUST. COMM
2	V	12146	REVISED F CUST. COMM



* DENOTES RECOMMENDED SPARE PARTS ** SHAFT TO BEARING DIAMETRICAL CLEARANCE: .006 [0.15] MIN., .012 [0.3] MAX.

LINE NO	QTY	DESCRIPTION	MATERIAL	LINE NO	QTY	DESCRIPTION	MATERIAL
1	1	BODY	A216 GR WCB	20	2	GLAND FOLLOVER	A216 WCB OR EQL
2	1	DISC	A216 GR WCB	21	4	STUD	A193 GR BBN
3	1	CLAMP RING	A216 GR WCB	22	4	HEX NUT	ST. STL.
4	1	SEAL	316 SS/HTC 9800	33	2	PARALLEL KEY	C1045
5	24	H.H. CAP SCREW	ST. STL.	34	2	BRG PROTECTOR	BRAD JIC 3871 OR EQ
6	24	LOCK WASHER	ST. STL.	200	2	GREASE FITTING	STL.
8	1	RETAINING RING	ST. STL.	201	1	MOUNTING PLATE	A36 OR EQ
				208	4	H.H. CAP SCREW	STL.
				209	4	LOCK WASHER	STL.
				210	2	DOWEL PIN	ST. STL.
				891	1	NAME PLATE	ST. STL.
				892	2	DRIVE SCREW	ALT. STL.
				900	A/R	LOCK WIRE	ST. STL.

LINE NO	QTY	DESCRIPTION	MATERIAL
1	1	ANNULAR KEY	A479 GR S21800
2	1	BEARING, PURGED	A479 GR S21800 **
3	1	SHAFT	A564 T300 H1150 DBL.
4	1	DOWEL PIN	SST
5	2	PARALLEL KEY	A479 316
6	2	PACKING KIT	GRH JIC 235 OR EQ
7	2	PACKING RING	GRH JIC 235 OR EQ
8	2	WIPER RING	BRAD JIC 3871 OR EQ



ALL VALVES THAT HAVE AN OPERATING TIME OF 1 SECOND OR LESS MUST BE CUSHIONED THE LAST 5 DEGREES OF TRAVEL, PRIOR TO CLOSURE.

PLATE COMPLIES TO MSS-SP44 (ASME B16.47, CL 300 SERIES A)
 RAISED FACE FLANGE SURFACE: 1.25-250 MAH
 VALVE DESIGN COMPLIES WITH:
 ANSI B16.34
 VALVE TESTED TO:
 AA4 PROCEDURE: 302-50449
 TORQUE SEALED DESIGN: 155300 IN-LBS
 MAX. ALLOWABLE TORQUE: 2285 LBS (EST.)
 VALVE ASSEMBLY WEIGHT: 18962 LBS
 CV-

THIS PRINT CERTIFIED CORRECT FOR YOUR ORDER 4710006
 WHEN CORRESPONDING IN REGARDS TO THIS EQUIPMENT REFER TO 50449B

UNLESS OTHERWISE SPECIFIED DIMENSIONS ARE IN INCHES
 DECIMALS: .03
 FRACTIONS: 1/16, 1/8, 3/16, 1/2, 3/4, 1
 TOLERANCES:
 ANGLES: ±.2
 HOLE POSITION: ±.010
 HOLE DIAMETER: ±.005
 HOLE TO HOLE: ±.010
 THIS PRINT & THE PROPERTY OF ATWOOD & MOORE, INC. IS TO BE KEPT CONFIDENTIAL. PARTS THEREOF SHALL BE IDENTIFIED AS SUCH BY OTHER THAN THOSE EXPRESSLY DESIGNATED BY ATWOOD & MOORE, INC. IS NOT PERMITTED.

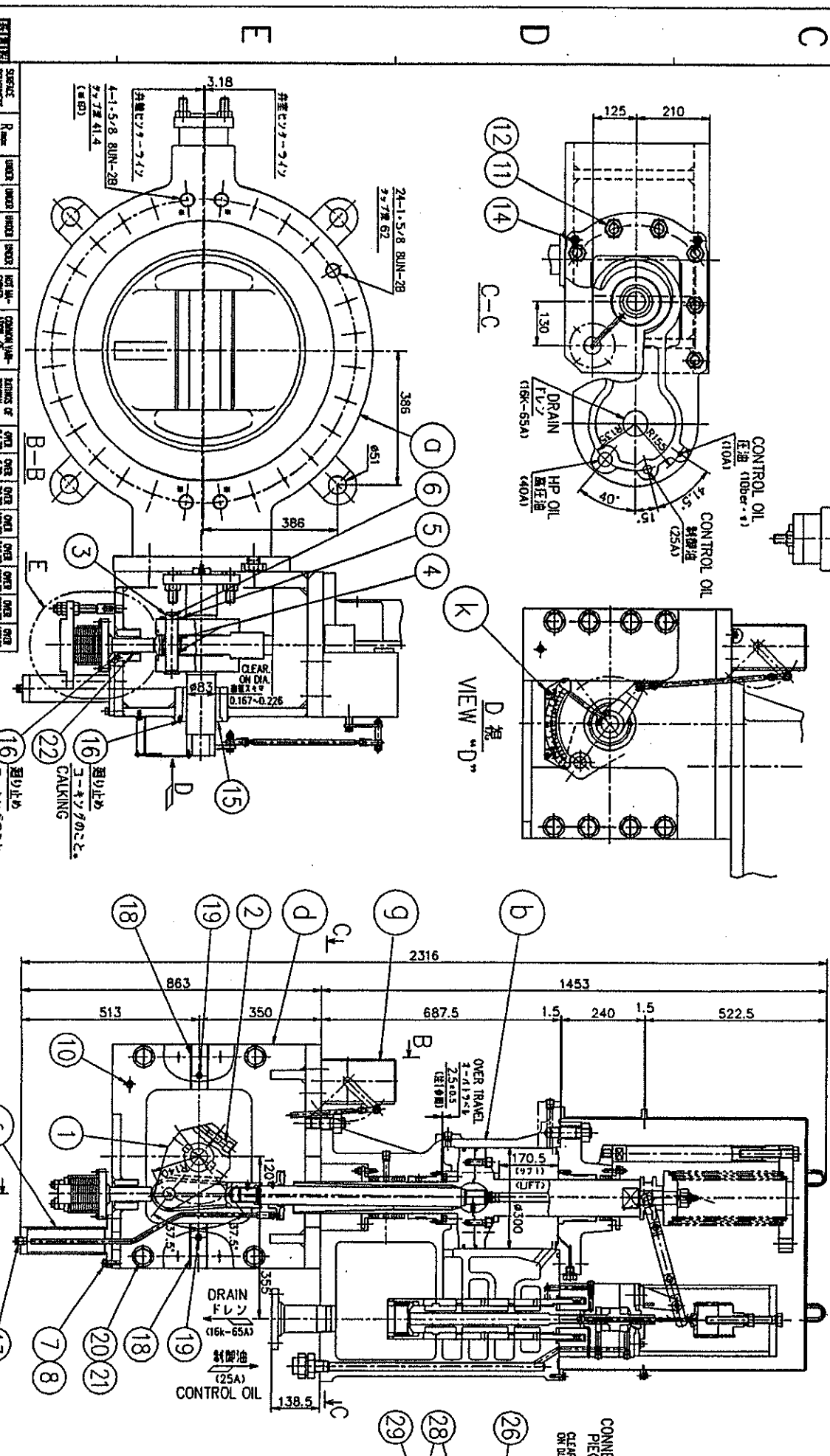
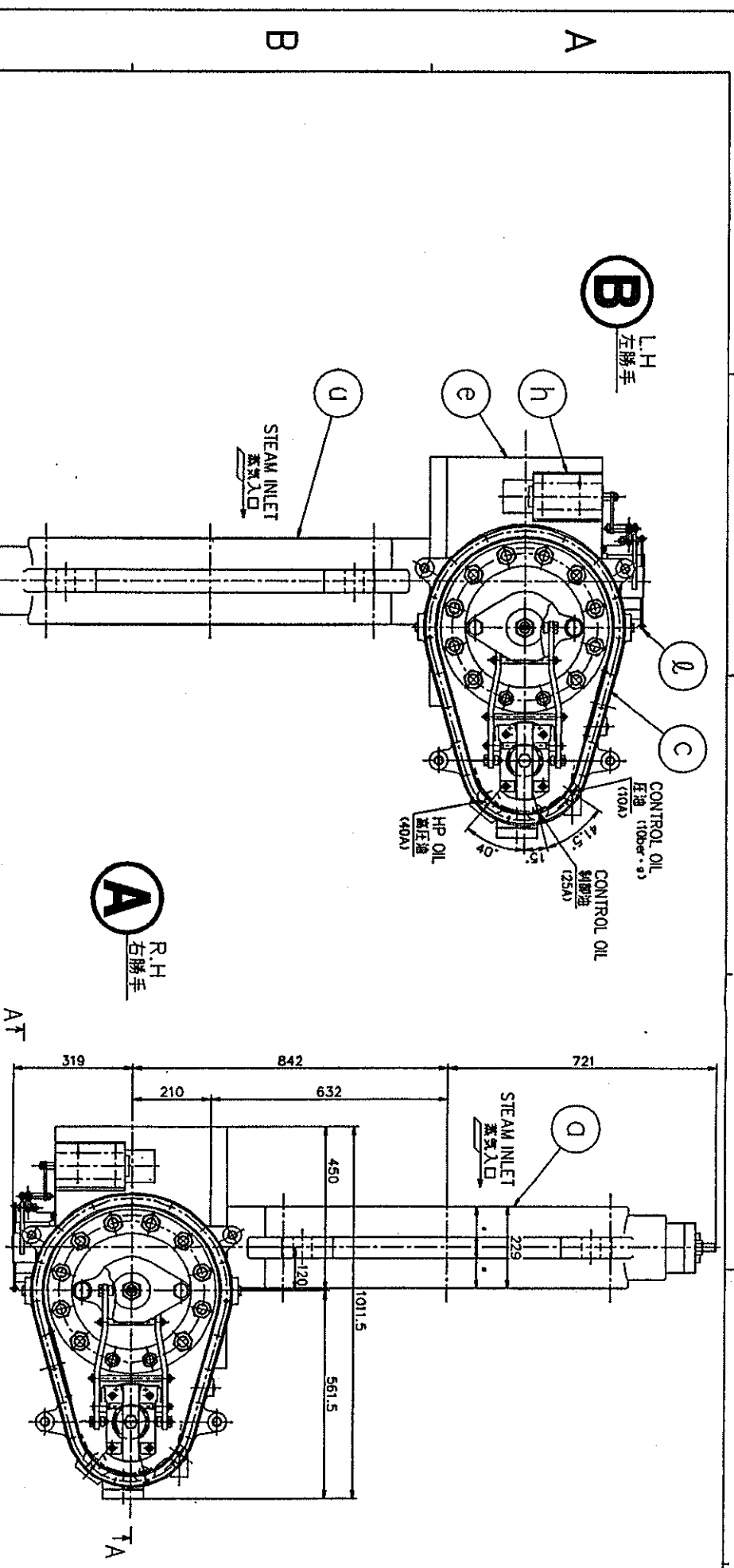
Atwood & Moore
 TRICE
 26-30
 VALVE A
 502

CUSTOMER: EAGLE INDUSTRY CO., LTD./MHI NAGASAKI PROJECT
 PROJECT: KENYA/DLKARIA II GEOTHERMAL POWER PROJECT UNIT
 04266-05130-1844-00
 DESIGN PRESSURE/TEMP: 13.5 bar (196 PSI) / 196°C (385°F)
 MAXIMUM OPERATING CONDITIONS: 4.8 bar (70 PSI) @ 150.3°C (302°F)
 SEATING TORQUE & OPERATING PRESSURE: MAX: 48600 IN-LB
 OPENING TORQUE & OPERATING PRESSURE: MIN: 22300 IN-LB
 L.H. GOVERNING VALVE

818

33

1 2 3 4 5 6 7



ITEM NO.	QTY	UNIT	REMARKS
1	1	PC	VALVE BODY
2	1	PC	VALVE PLATE
3	1	PC	VALVE SEAT
4	1	PC	VALVE SPRING
5	1	PC	VALVE LINK
6	1	PC	VALVE BOLT
7	1	PC	VALVE WASHER
8	1	PC	VALVE PIN
9	1	PC	VALVE COLLAR
10	1	PC	VALVE STUD BOLT
11	1	PC	VALVE TAPER PIN
12	1	PC	VALVE NUT
13	1	PC	VALVE PLUG
14	1	PC	VALVE TAPER PIN
15	1	PC	VALVE BUSH
16	1	PC	VALVE SET SCREW
17	1	PC	VALVE CLEARANCE WASHER
18	1	PC	VALVE BOLT
19	1	PC	VALVE BOLT
20	1	PC	VALVE BOLT
21	1	PC	VALVE WASHER
22	1	PC	VALVE ROD
23	1	PC	VALVE GUIDE
24	1	PC	VALVE SPRING SEAT
25	1	PC	VALVE BUSH
26	1	PC	VALVE SPRING WASHER
27	1	PC	VALVE COILED BSC SPRING
28	1	PC	VALVE NUT
29	1	PC	VALVE NUT
30	1	PC	VALVE BOLT
31	1	PC	VALVE BOLT
32	1	PC	VALVE KEY
33	1	PC	VALVE SET SCREW
34	1	PC	VALVE CLEARANCE WASHER
35	1	PC	VALVE BUSH
36	1	PC	VALVE TAPER PIN
37	1	PC	VALVE NUT
38	1	PC	VALVE PLUG
39	1	PC	VALVE TAPER PIN
40	1	PC	VALVE BUSH
41	1	PC	VALVE SET SCREW
42	1	PC	VALVE CLEARANCE WASHER
43	1	PC	VALVE BOLT
44	1	PC	VALVE BOLT
45	1	PC	VALVE WASHER
46	1	PC	VALVE ROD
47	1	PC	VALVE GUIDE
48	1	PC	VALVE SPRING SEAT
49	1	PC	VALVE BUSH
50	1	PC	VALVE SPRING WASHER
51	1	PC	VALVE COILED BSC SPRING
52	1	PC	VALVE NUT
53	1	PC	VALVE NUT
54	1	PC	VALVE BOLT
55	1	PC	VALVE BOLT
56	1	PC	VALVE WASHER
57	1	PC	VALVE ROD
58	1	PC	VALVE GUIDE
59	1	PC	VALVE SPRING SEAT
60	1	PC	VALVE BUSH
61	1	PC	VALVE SPRING WASHER
62	1	PC	VALVE COILED BSC SPRING
63	1	PC	VALVE NUT
64	1	PC	VALVE NUT
65	1	PC	VALVE BOLT
66	1	PC	VALVE BOLT
67	1	PC	VALVE WASHER
68	1	PC	VALVE ROD
69	1	PC	VALVE GUIDE
70	1	PC	VALVE SPRING SEAT
71	1	PC	VALVE BUSH
72	1	PC	VALVE SPRING WASHER
73	1	PC	VALVE COILED BSC SPRING
74	1	PC	VALVE NUT
75	1	PC	VALVE NUT
76	1	PC	VALVE BOLT
77	1	PC	VALVE BOLT
78	1	PC	VALVE WASHER
79	1	PC	VALVE ROD
80	1	PC	VALVE GUIDE
81	1	PC	VALVE SPRING SEAT
82	1	PC	VALVE BUSH
83	1	PC	VALVE SPRING WASHER
84	1	PC	VALVE COILED BSC SPRING
85	1	PC	VALVE NUT
86	1	PC	VALVE NUT
87	1	PC	VALVE BOLT
88	1	PC	VALVE BOLT
89	1	PC	VALVE WASHER
90	1	PC	VALVE ROD
91	1	PC	VALVE GUIDE
92	1	PC	VALVE SPRING SEAT
93	1	PC	VALVE BUSH
94	1	PC	VALVE SPRING WASHER
95	1	PC	VALVE COILED BSC SPRING
96	1	PC	VALVE NUT
97	1	PC	VALVE NUT
98	1	PC	VALVE BOLT
99	1	PC	VALVE BOLT
100	1	PC	VALVE WASHER

35 DRAWN

GOVERNING VALVE GENE

IM-N26-G12-03

NO.	DESCRIPTION	QTY	UNIT	REVISIONS	DATE	ZONE	NO.	DESCRIPTION
M	SPRING SEAT	N26-050-0943-A	2	PC				
L	SCALE PLATE ASSY	N26-050-0943-B	1	PC				
K	SCALE PLATE ASSY	N26-050-0943-A	1	PC				
J	LIMIT SWITCH ASSY	N26-050-0946-B	1	PC				
I	SAUCER	N26-050-0704-A	2	PCS				
H	BRACKET	N26-050-0944-B	1	PC				
G	BRACKET	N26-050-0944-A	1	PC				
F	OVER EXHAUSTOR ASSY	N26-012-0367-B	1	PC				
E	OVER EXHAUSTOR ASSY	N26-012-0367-A	1	PC				
D	COV. VALVE ASSY	05130-4844A	2	PCS				
C	BOLT	101-506-012-1	12					
B	NUT	152-022-520-1	8					
A	NUT	150-072-570-1	16					
	COILED BSC SPRING	N26-850-0218-2	24					
	ROD	N26-891-0504-4	8					
	GUIDE	N26-891-0570-2	2					
	SPRING SEAT	N26-891-0504-1	2					
	BUSH	N26-222-0156-2	2					
	SPRING WASHER	168-400-130-2	16					
	BOLT	101-510-085-2	16					
	BOLT	141-510-016-3	4					
	KEY	N26-270-0442-1	4					
	SET SCREW	178-451-010-3	8					
	BUSH	N26-891-0399-1	4					
	TAPER PIN	184-516-050-1	4					
	PLUG	352-101-804-1	2					
	NUT	150-022-530-1	16					
	STUD BOLT	130-530-100-1	16					
	TAPER PIN	184-520-060-1	2					
	SPRING WASHER	168-400-112-2	8					
	BOLT	101-512-030-1	8					
	SPLIT PIN	180-050-050-1	2					
	WASHER	168-110-136-0	2					
	COLLER	N26-890-3572-4	4					
	PIN	N26-891-0392-2	4					
	BOLT	141-520-065-3	4					
	LINK	N26-891-0570-1	2					